

Individual Dual temperature zone with digital display

獨立雙溫區設計及電子顯示控制

Low -Emissivity glass door for anti-UV and condensation

低輻射鍍膜防紫外線及防凝霧玻璃門

Deodorizing Air Circulation System with Cold Catalyst Filter

備有去異味冷觸媒濾網的空氣循環系統

Recess handle & Reversible Door

隱藏式門柄及可調開門方向

Blue LED Lighting with 2 levels of dimmer light design

內置藍色LED燈 · 可選兩段光度模式

Sliding shelves with beech wood structure

滑軌櫟木層架

Built-under or Free-standing installation

嵌入式安裝或獨立式擺放均可

Security lock system with keys

安全鎖連開關鑰匙

Environmentally-friendly refrigerant (R600a)

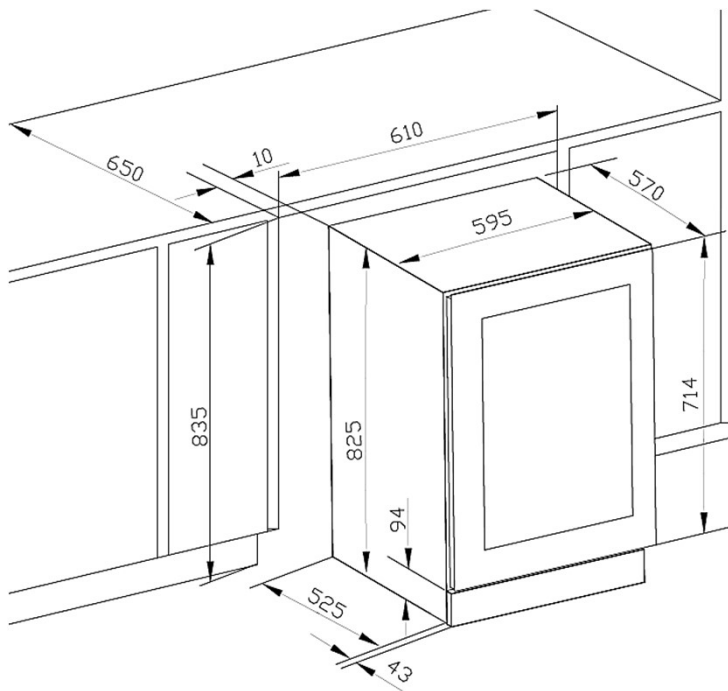
環保雪種 (R600a)

Model	型號	VZ43SDUG
No. of Bottles Stored	盛載數量 (瓶)	Upper Racks 上層容量 : 16 Bottles 瓶 Lower Racks 下層容量 : 27 Bottles 瓶
Capacity (Liters)	容量 (公升)	134
Shelving Material	層架物料	Beech wood 櫟木
Temperature range	溫度範圍	上儲酒區 Upper Zone : 5°C - 12°C 下儲酒區 Lower Zone : 12°C - 18°C
Climate Classification	操作環境溫度	10°C - 32°C
Power & Voltage	功率及電壓	100W / 220-240V~ / 50 Hz
Product Dimensions (H x W x D) mm	產品尺寸 (高x 闊x 深) 毫米	825 x 595 x 570
Product Net Weight (kg)	產品淨重 (公斤)	51

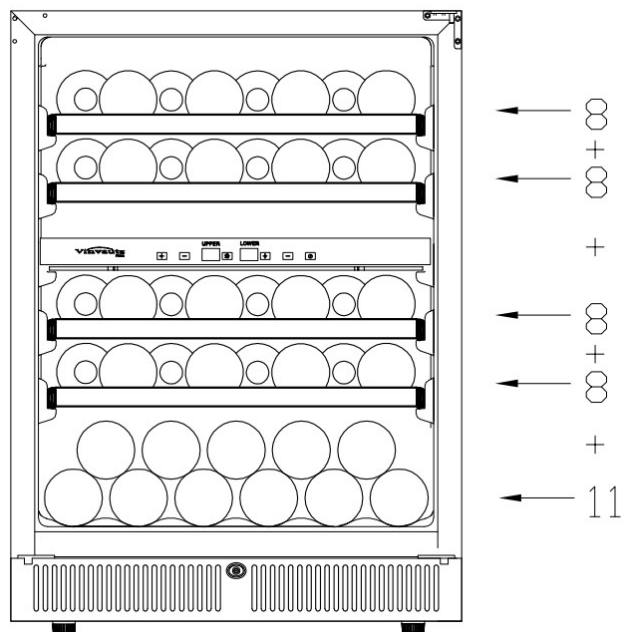
Specifications may change due to product improvement, No prior notice will be given.

規格如有修改 · 恕不另行通知。

Installation Diagram
推入式安裝圖



Loading Diagram
酒瓶裝載圖



Specifications may change due to product improvement, No prior notice will be given.

規格如有修改，恕不另行通知。